

**POWER**

# SHIP EQUIPMENT

IT PRODUCES STAINLESS STEEL PRODUCTS, MARINE HARDWARE, CONSTRUCTION HARDWARE, WHICH ARE WIDELY USED IN MARINE TRANSPORTATION, ELECTRIC SHIP AND MANY OTHER FIELDS AND PROVIDES OEM AND ODM SERVICES.

## Power Marine

E-mail: [andy@power-marine.net](mailto:andy@power-marine.net)

Mob: +86-15806581717

Contacts: Andy Zhang

Address: Qingdao City, Shandong Province, China

**山东威盛工贸有限公司**  
Shandong Power Industry and Trade Co., Ltd.

# COMPANY PROFILE

Our company mainly produces stainless steel products, marine hardware, construction hardware, products are widely used in marine transportation, electric ships and many other fields, and provides OEM and ODM services. Our company has CNC machine tools, salt spray test instruments, spectrometers and other professional equipment, providing sound material certificates for our products. With excellent service and product quality, we cover more than 100 countries in the world and are exported to the United States, the United Kingdom, Germany, France, Canada, Australia, the Netherlands, Taiwan, Japan, South Korea and other Europe and the United States and Southeast Asia. Our customers enjoy a high reputation.

Since its establishment, we have always adhered to the corporate philosophy of "quality first, integrity management", and for the purpose of "win-win", committed to scientific and technological innovation, building corporate brands, and meeting customer needs. Through more than 10 years of product integration, we have established a competitive product chain and become one of the top marine hardware suppliers. We adhere to the principle of customer first, strive to achieve customer success, and ultimately achieve win-win cooperation. We warmly welcome our customers to cooperate with us!





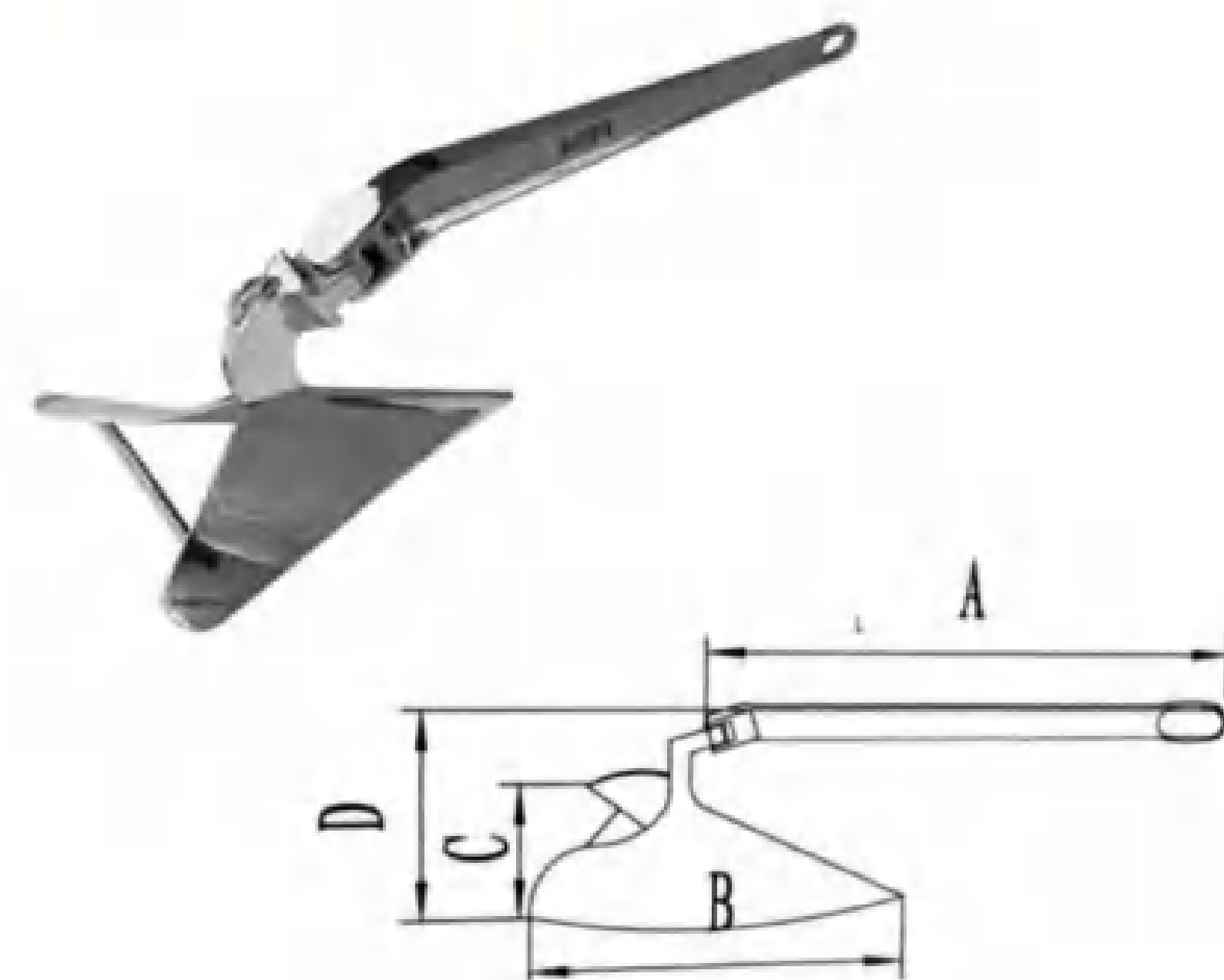
## BOAT ANCHOR & MARINE HARDWARE

AISI316 STAINLESS STEEL BRUCE ANCHOR  
316不锈钢布鲁斯锚



Code	A mm	B mm	C mm	D mm	Weight kg
ALS6001	280	102	180	130	1 kg
ALS6002	350	127	220	175	2 kg
ALS60025	400	150	230	140	2.5KG
ALS6003	400	145	250	200	3 kg
ALS6005	470	165	310	270	5 kg
ALS6075	540	190	350	290	7.5 kg
ALS6010	595	210	385	320	10 kg
ALS6015	680	255	440	360	15 kg
ALS6020	750	300	520	390	20 kg
ALS6025	810	310	590	410	25 kg
ALS6030	860	320	590	460	30 kg
ALS6035	935	370	660	460	35 kg
ALS6040	965	370	660	460	40 kg
ALS6050	1010	375	700	500	50 kg
ALS6080	1050	460	700	547	80 kg

AISI316 STAINLESS STEEL PLOUGH ANCHOR  
316不锈钢犁型锚

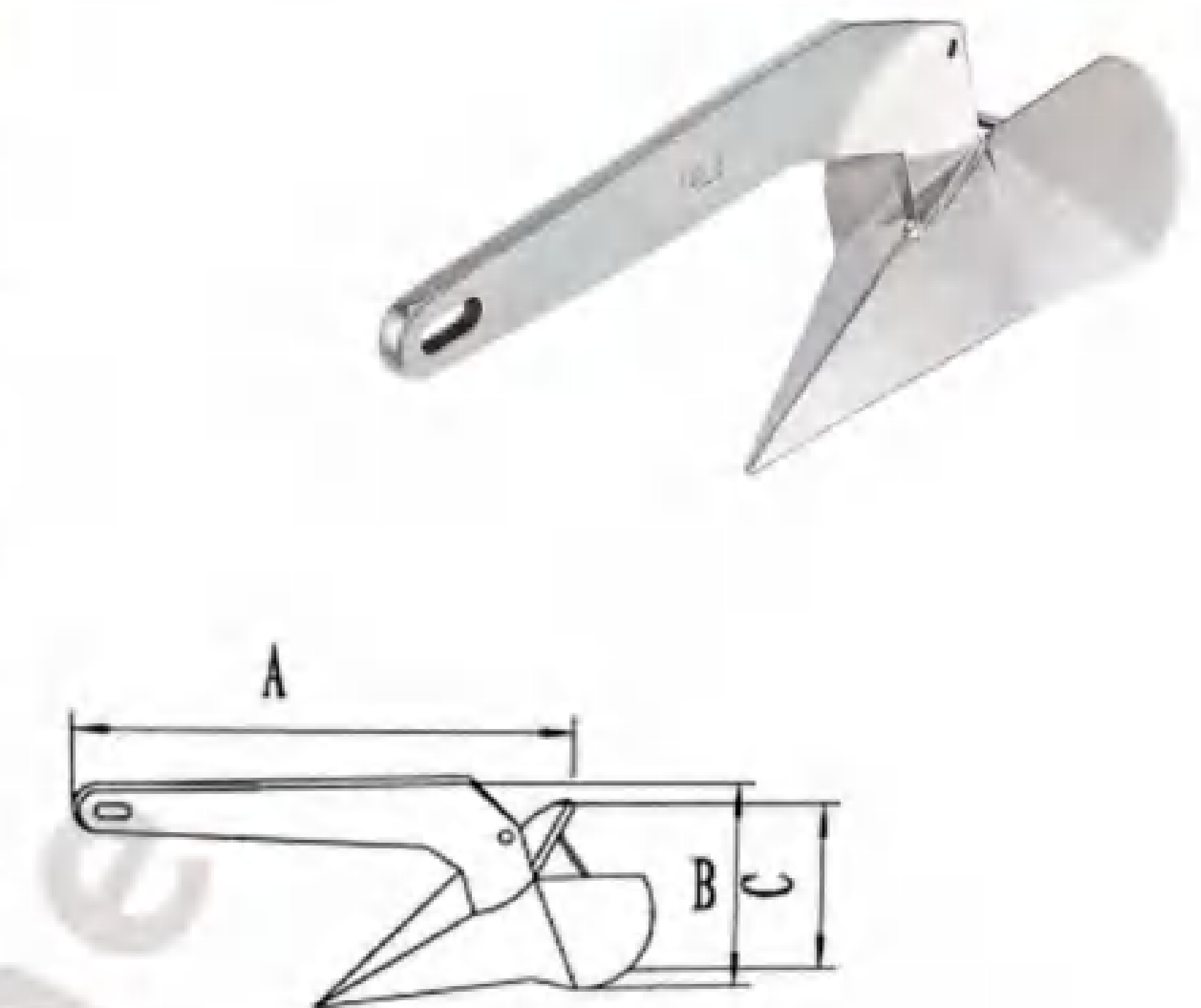


Code	A mm	B mm	C mm	D mm	Weight kg
ALS6105	510	340	260	220	5 kg
ALS6107	560	380	270	230	7 kg
ALS6109	600	375	280	250	9 kg
ALS6110	620	400	290	270	10 kg
ALS6112	660	430	340	300	12 kg
ALS6115	730	490	360	330	15 kg
ALS6116	735	490	360	240	16 kg
ALS6120	740	550	370	360	20 kg
ALS6122	750	550	370	390	22 kg
ALS6127	780	600	460	360	27 kg
ALS6134	800	630	480	360	34 kg
ALS6135	820	640	490	380	35 kg
ALS6140	810	653	645	425	40 kg
ALS6150	965	745	540	500	50 kg

Code	A mm	B mm	C mm	Weight kg
ALS6204	550	230	210	4 kg
ALS6205	555	250	220	5 kg
ALS6275	625	300	270	7.5 kg
ALS6208	580	290	270	8 kg
ALS6210	665	310	300	10 kg
ALS6215	755	350	330	15 kg
ALS6020	830	370	390	20 kg
ALS6230	970	400	450	30 kg
ALS6240	1100	430	490	40 kg
ALS6250	1170	450	520	50 kg
ALS6263	1270	520	565	63 kg
ALS6280	1350	600	605	80 kg
ALS62100	1500	750	700	100 kg

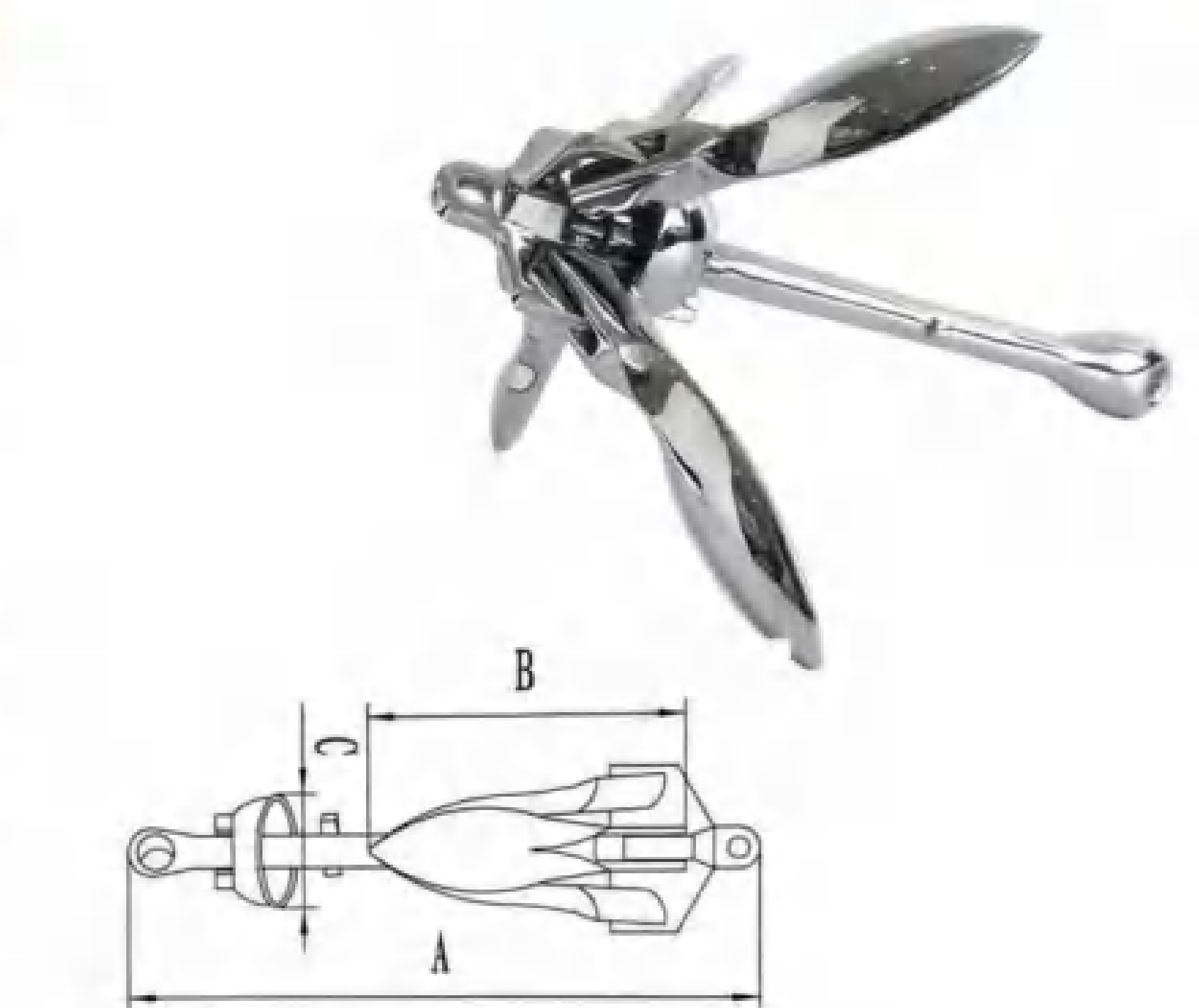
Support private customization

AISI316 STAINLESS STEEL DELTA ANCHOR  
316不锈钢三角锚



AISI316 STAINLESS STEEL GRAPNEL ANCHOR  
316不锈钢伞锚/折叠锚

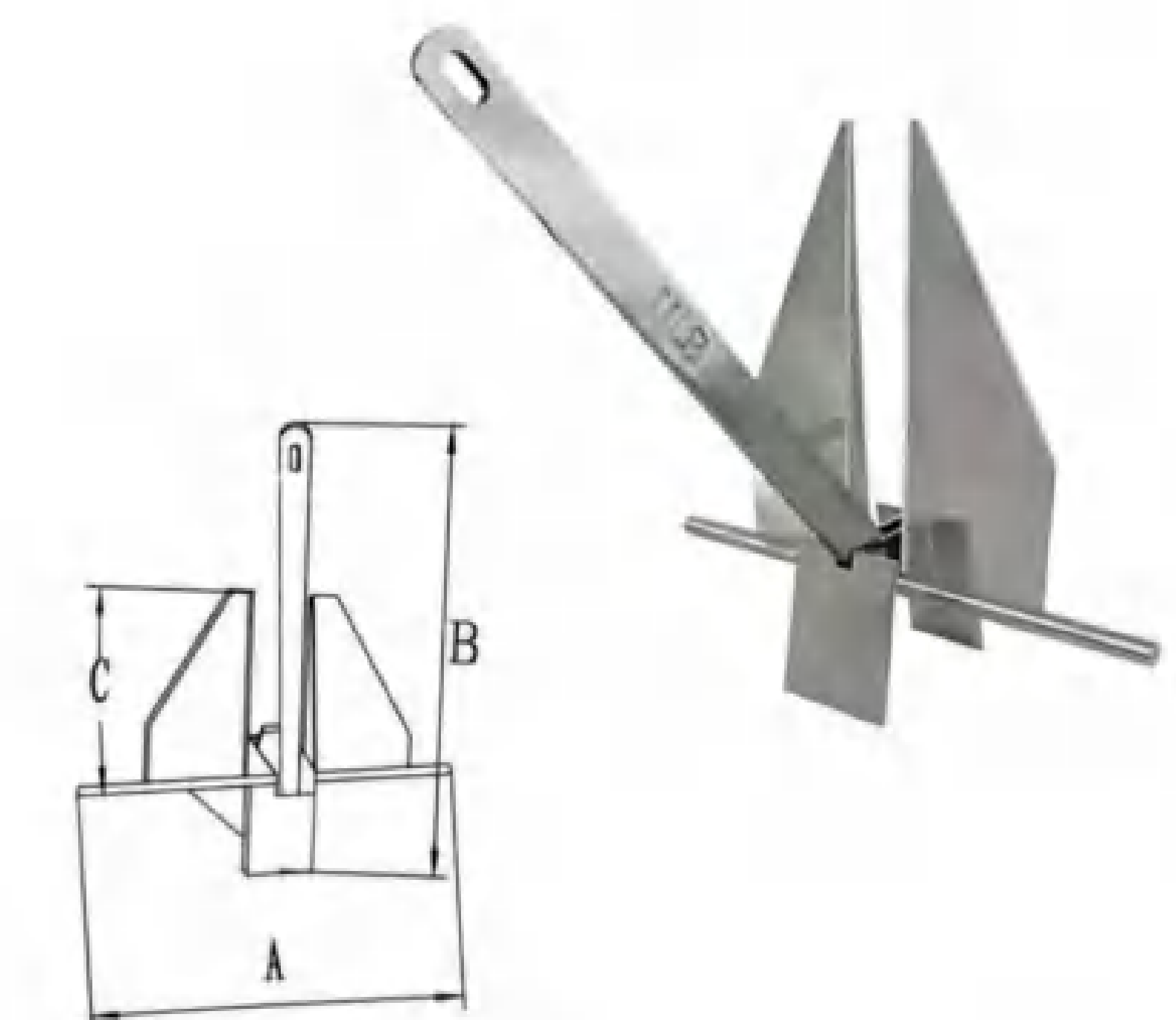
Code	A mm	B mm	C mm	Weight kg
ALS63007	200	90	47	0.7 kg
ALS63015	302	135	54	1.5 kg
ALS63025	355	156	59	2.5 kg
ALS63032	395	174	73	3.2 kg
ALS6304	460	200	76	4 kg
ALS6305	470	210	80	5 kg
ALS6306	523	222	85	6 kg
ALS6307	530	230	90	7 kg
ALS6308	600	240	90	8 kg
ALS6310	655	260	102	10 kg
ALS6312	840	326	102	12 kg



AISI316 STAINLESS STEEL DANFORTH ANCHOR  
316不锈钢丹弗斯锚

Code	A mm	B mm	C mm	Weight kg
ALS64005	455	550	265	5kg
ALS64075	500	650	340	7.5kg
ALS64010	520	720	358	10kg
ALS64012	580	835	370	12kg
ALS6415	620	865	400	15kg
ALS6420	650	875	445	20kg
ALS6430	760	990	590	30kg
ALS6440	830	1100	610	40kg
ALS6450	885	1150	625	50kg
ALS6470	1000	1300	690	70kg
ALS64100	1100	1400	890	100kg

Support private customization



**AISI316 STAINLESS STEEL POOL ANCHOR**  
316不锈钢波尔锚



Code	A mm	B mm	C mm	D mm	Weight kg
ALS6512	425	315	275	240	12 kg
ALS6520	455	385	300	325	20 kg
ALS6525	480	410	320	340	25 kg
ALS6530	505	430	335	365	30 kg
ALS6535	530	460	350	390	35 kg
ALS6545	575	490	375	415	45 kg
ALS6560	665	555	425	470	60 kg
ALS65100	775	655	505	555	100 kg
ALS65120	825	700	540	595	120 kg
ALS65140	870	735	570	625	140 kg
ALS65160	905	765	590	650	160 kg

Support private customization

**HOT DIP GALVANIZED BRUCE ANCHOR**  
热镀锌布鲁斯锚



Code	Weight kg	Code	Weight kg
ALS7001	1 kg	ALS7150	15 kg
ALS7002	2 kg	ALS7200	20 kg
ALS7035	3.5 kg	ALS7250	25 kg
ALS7005	5 kg	ALS7300	30 kg
ALS7075	7.5 kg	ALS7500	50 kg
ALS7100	10 kg	ALS7800	80 kg
ALS7112	12kg	ALS1000	100kg

**HOT DIP GALVANIZED PLOUGH ANCHOR**  
热镀锌犁型锚



Code	Weight kg	Code	Weight kg
ALS7105	5 kg	ALS7120	20 kg
ALS7107	7 kg	ALS7122	22 kg
ALS7109	9 kg	ALS7124	24 kg
ALS7112	12 kg	ALS7127	27 kg
ALS7115	15 kg	ALS7135	35 kg

**HOT DIP GALVANIZED DELTA ANCHOR**  
热镀锌三角锚



Code	Weight kg	Code	Weight kg
ALS7204	4 kg	ALS7220	20 kg
ALS7205	5 kg	ALS7225	25 kg
ALS7275	7.5 kg	ALS7230	30 kg
ALS7208	8 kg	ALS7232	32 kg
ALS7210	10 kg	ALS7240	40 kg
ALS7216	16 kg	ALS7250	50 kg

Support private customization

Code	Weight kg	Code	Weight kg
ALS7302	2 kg	ALS7315	15 kg
ALS73025	2.5 kg	ALS7320	20 kg
ALS7303	3 kg	ALS7325	25 kg
ALS7304	4 kg	ALS7330	30 kg
ALS7305	5 kg	ALS7340	40 kg
ALS7306	6 kg	ALS7350	50 kg
ALS7308	8 kg	ALS7370	70 kg
ALS7310	10 kg	ALS7380	80 kg
ALS7312	12 kg	ALS73100	100 kg

Support private customization

**HOT DIP GALVANIZED DANFORTH ANCHOR**  
热镀锌丹弗斯锚



**HOT DIP GALVANIZED "A" TYPE GRAPNEL ANCHOR**  
A型热镀锌伞锚

Code	Weight kg	Code	Weight kg
ALS74015	1.5 kg	ALS7404	4 kg
ALS74025	2.5 kg	ALS7406	6 kg
ALS74032	3.2 kg	ALS7408	8 kg



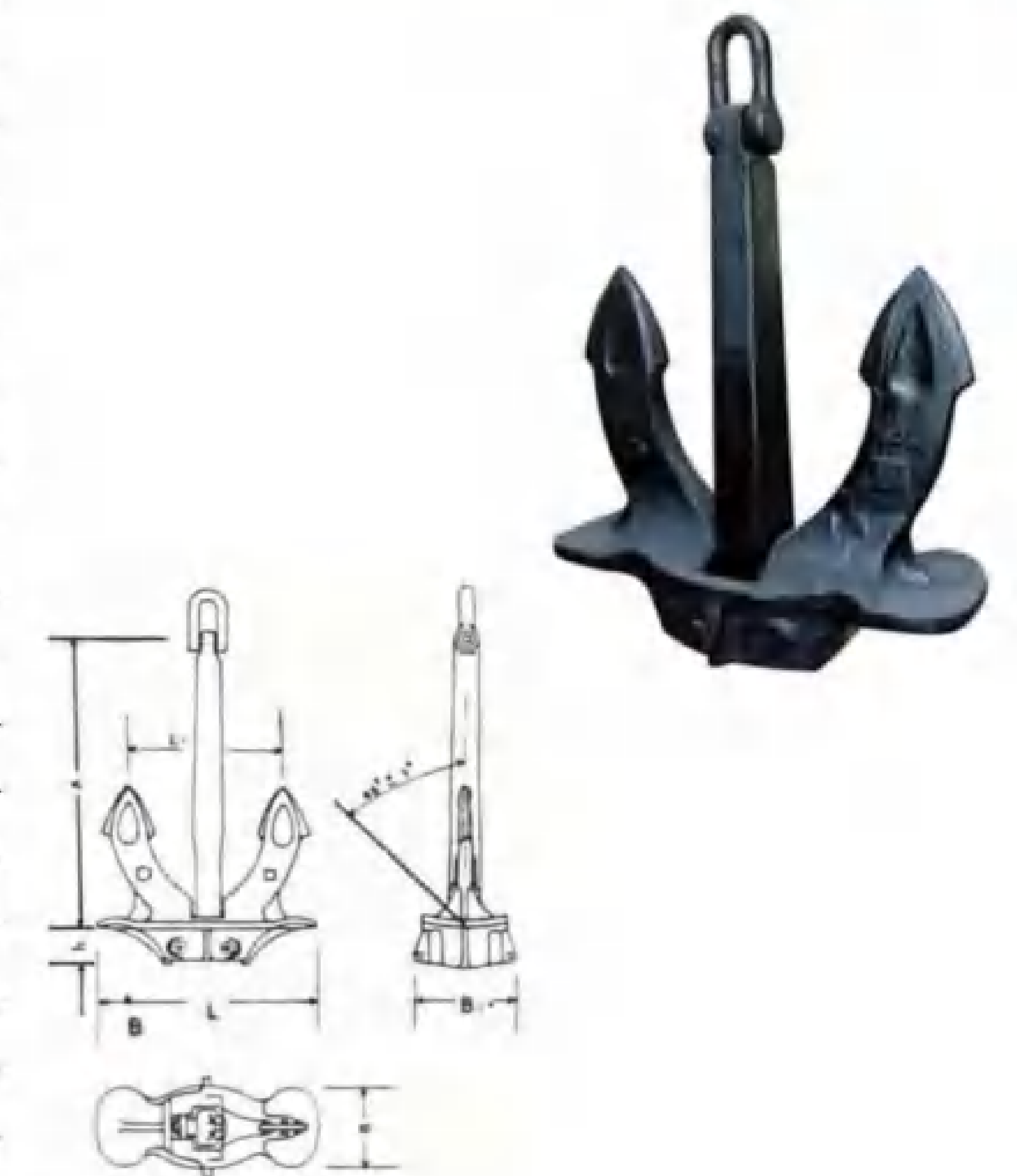
**HOT DIP GALVANIZED "B" TYPE GRAPNEL ANCHOR**  
B型热镀锌伞锚

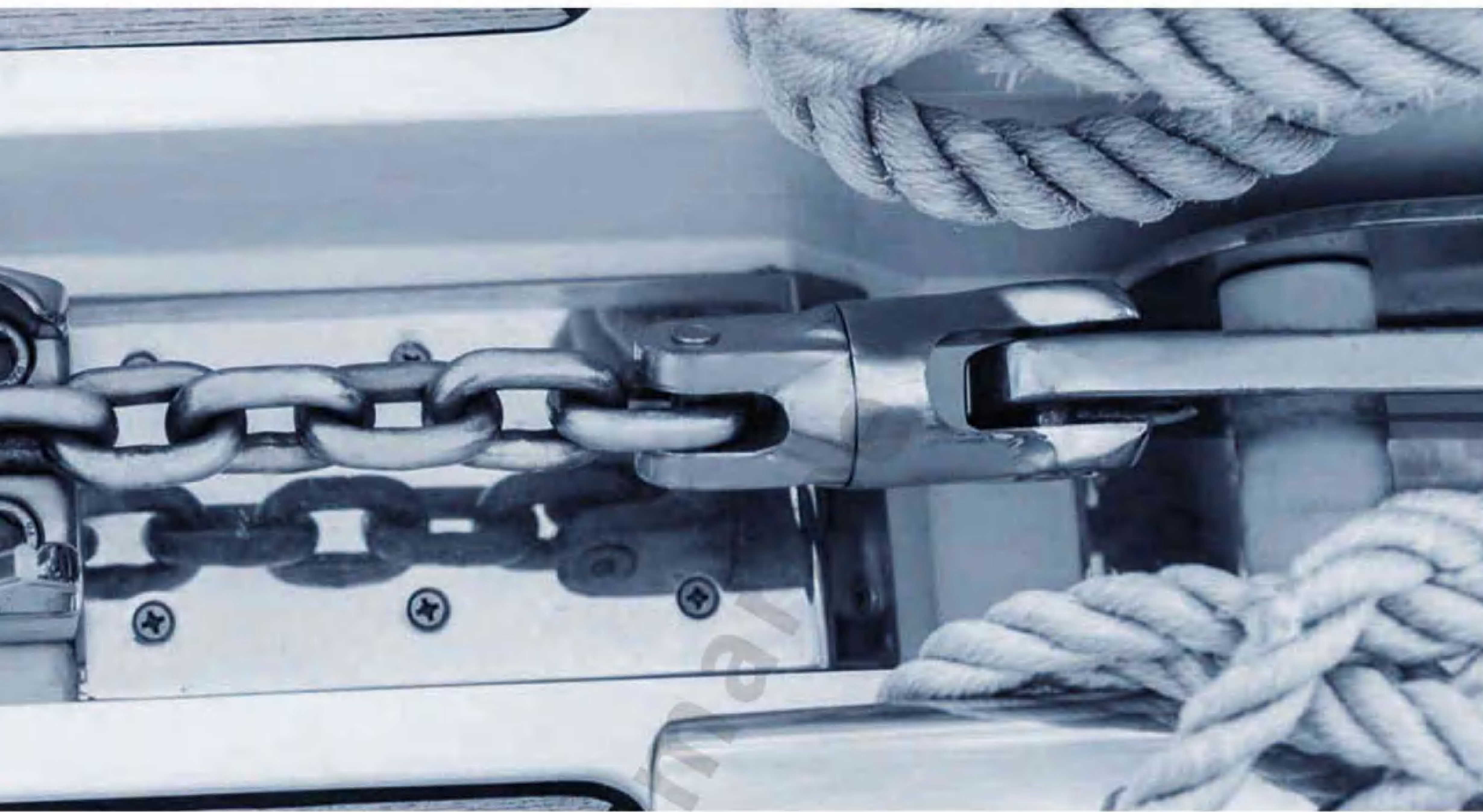
Code	Weight kg	Code	Weight kg
ALS76007	0.7kg	ALS76075	7.5 kg
ALS76014	1.4kg	ALS76100	10 kg
ALS76023	2.3kg	ALS76120	12 kg
ALS76035	3.5kg	ALS76150	15 kg
ALS76055	5.5kg		



Code	A mm	L mm	L1 mm	R1 mm	B mm	B1 mm	NOMINAL WEIGHT(kg)
ALS75300	1190	844	595	130	328	388	300 kg
ALS75350	1250	890	625	137	344	408	350 kg
ALS75400	1310	930	650	143	360	428	400 kg
ALS75450	1360	970	675	149	376	444	450 kg
ALS75500	1410	1000	700	154	390	460	500 kg
ALS75600	1500	1060	745	164	414	490	600 kg
ALS75700	1580	1120	785	172	436	516	700 kg
ALS75800	1650	1170	820	180	456	540	800 kg
ALS75900	1720	1220	855	188	474	560	900 kg
ALS51000	1780	1260	885	194	490	580	1000 kg
ALS51250	1910	1360	955	109	526	624	1250 kg
ALS51500	2030	1450	1015	222	560	664	1500 kg
ALS52250	2330	1650	1160	254	642	760	2250 kg
ALS752500	2410	1710	1200	263	666	788	2500 kg
ALS753000	2560	1820	1275	280	708	836	3000 kg
ALS753500	2700	1920	1345	294	746	880	3500 kg
ALS754000	2820	2000	1400	308	780	920	4000 kg
ALS754500	2940	2080	1455	320	808	956	4500 kg
ALS755000	3050	2150	1510	332	836	992	5000 kg

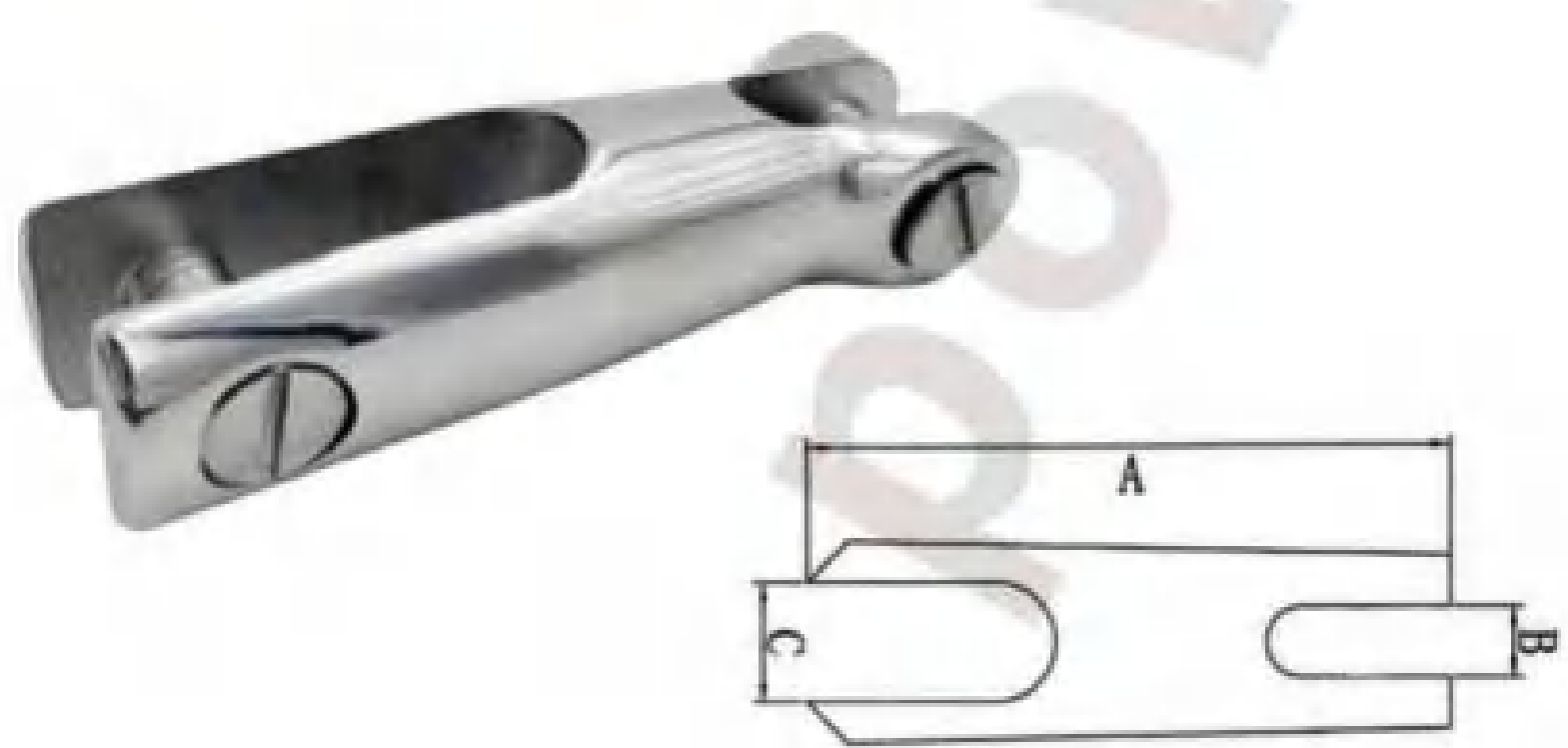
**BLACK PAINTED HALL ANCHOR**  
黑漆霍尔锚





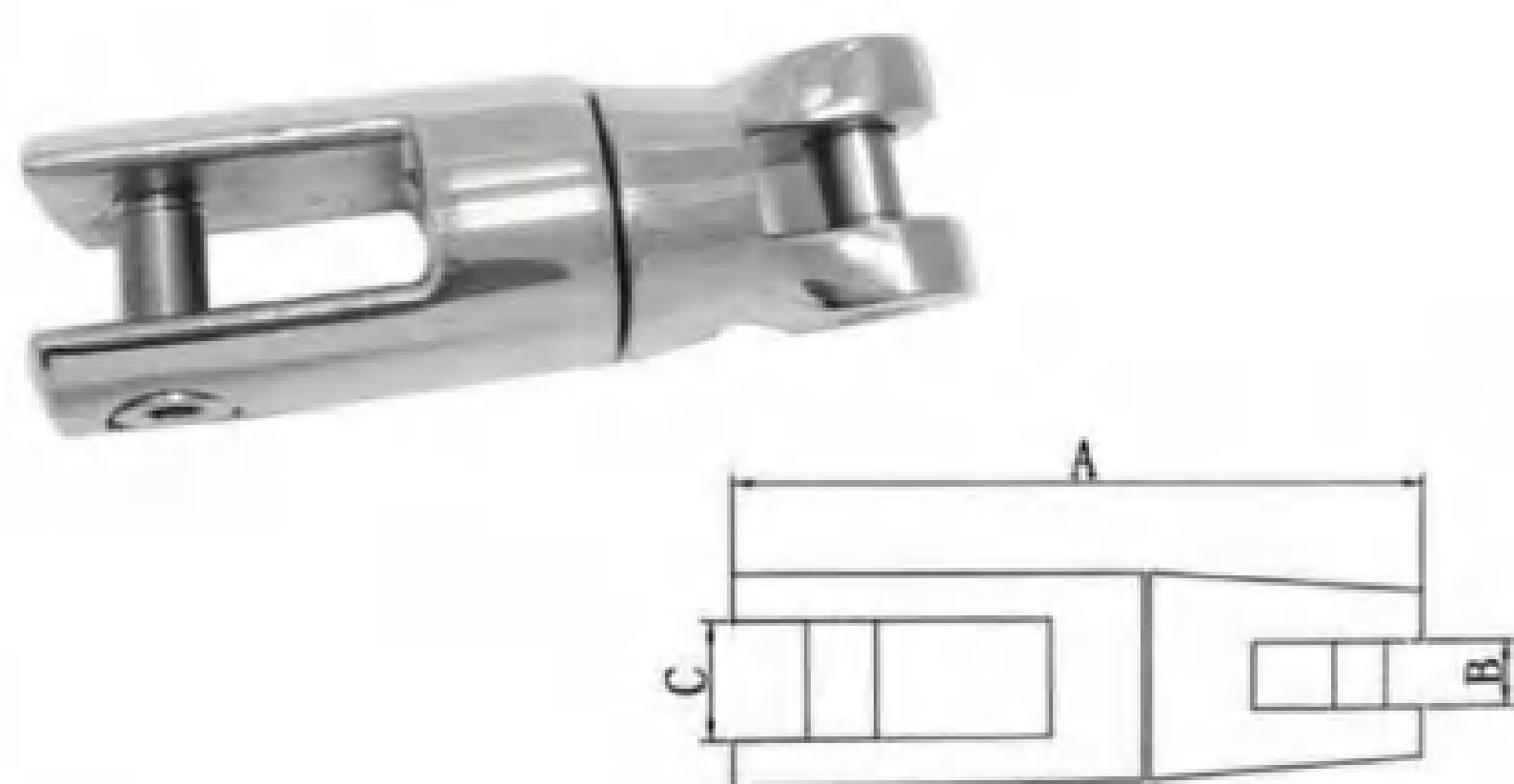
## ANCHOR CONNECTOR

AISI316 STAINLESS STEEL ANCHOR CONNECTOR  
316不锈钢一体锚链接器



Code	A mm	B mm	C mm	Chain Size( mm)
ALS801A-0608	91	10.5	15.5	6-8
ALS801B-1012	117	13	19	8-10

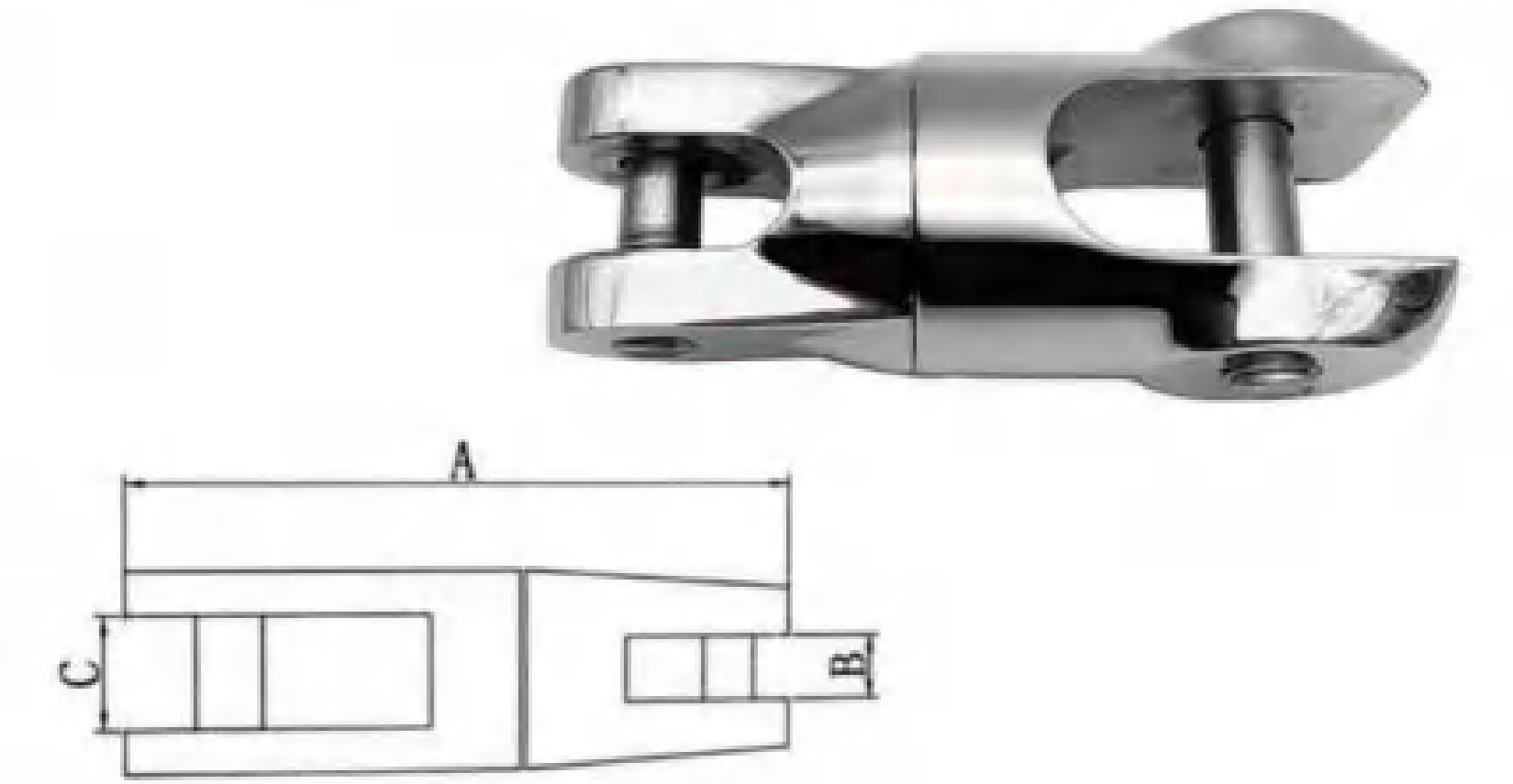
AISI316 STAINLESS STEEL ANCHOR DOUBLE CONNECTOR  
316不锈钢两段锚链接器



Code	A mm	B mm	C mm	Chain Size( mm)
ALS802A-0608	88	11.5	16.5	6-8
ALS802B-1012	116	14	19	8-10
ALS802C-1416	139	19	32	14-16

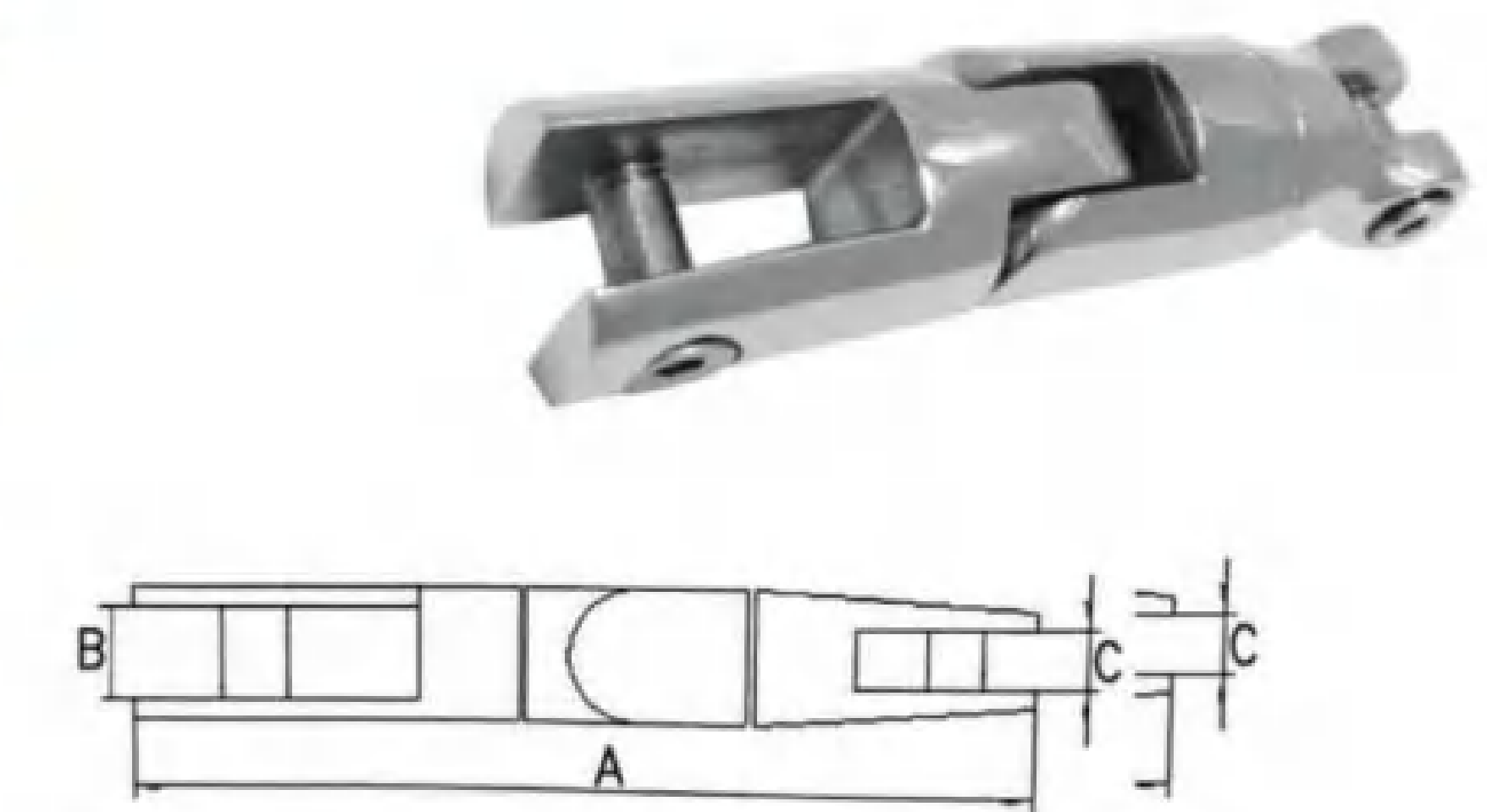
AISI316 STAINLESS STEEL HEAVY ANCHOR DOUBLE CONNECTOR  
316不锈钢重型两段锚链接器

Code	A mm	B mm	C mm	Chain Size( mm)
ALS803A-0608	120	10.5	15.5	6-8
ALS803B-1012	170	14	18	8-12



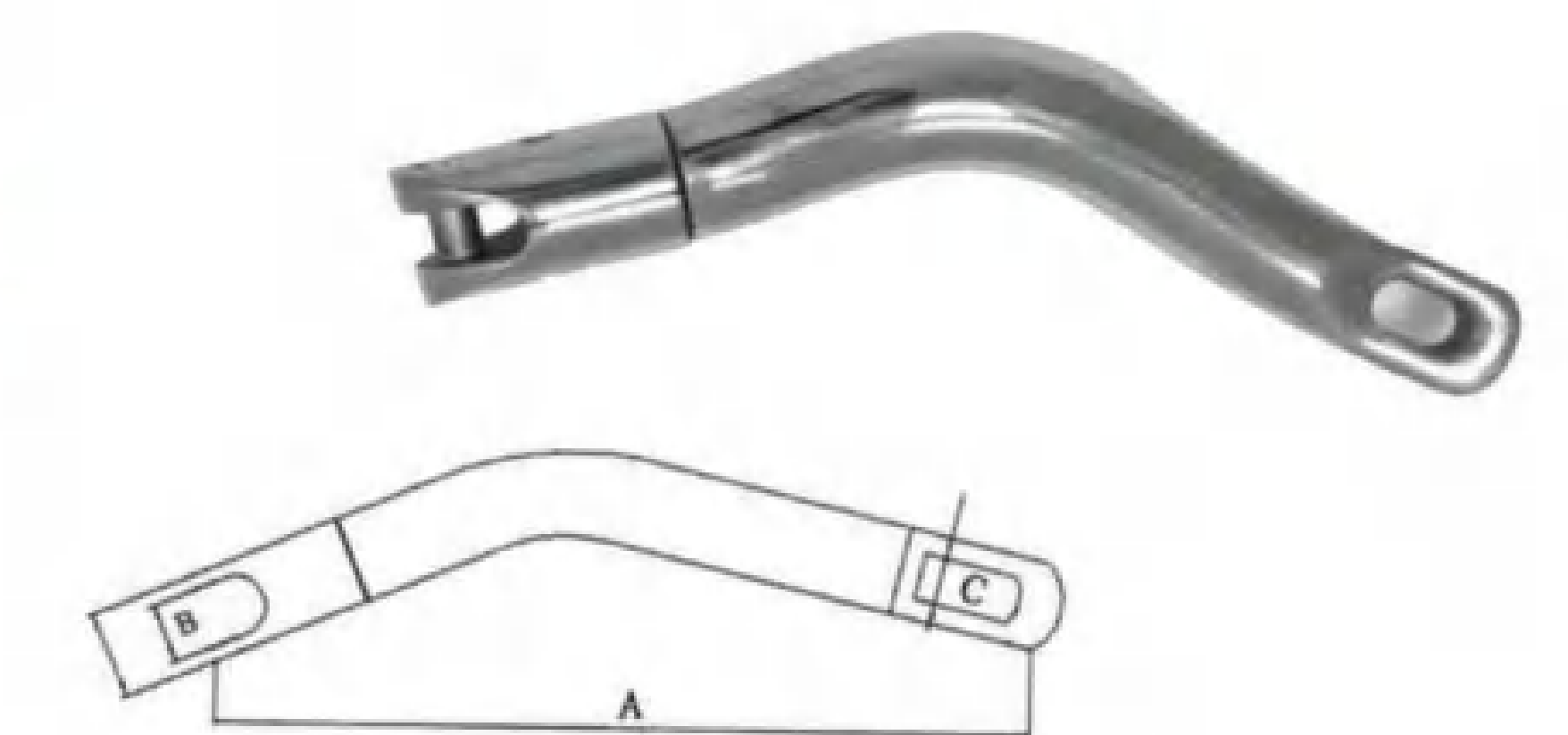
AISI316 STAINLESS STEEL ANCHOR TRIPLE CONNECTOR  
316不锈钢三段锚链接器

Code	A mm	B mm	C mm	Chain Size( mm)
ALS804A-0608	120	16	9	6-8
ALS804B-1012	151	18	13	8-12



AISI316 STAINLESS STEEL ANCHOR CONNECTOR  
316不锈钢长锚连接器

Code	A mm	B mm	C mm	Chain Size( mm)
ALS805A-0608	240	10	20	6-8
ALS805B-1012	290	14	27.5	8-12





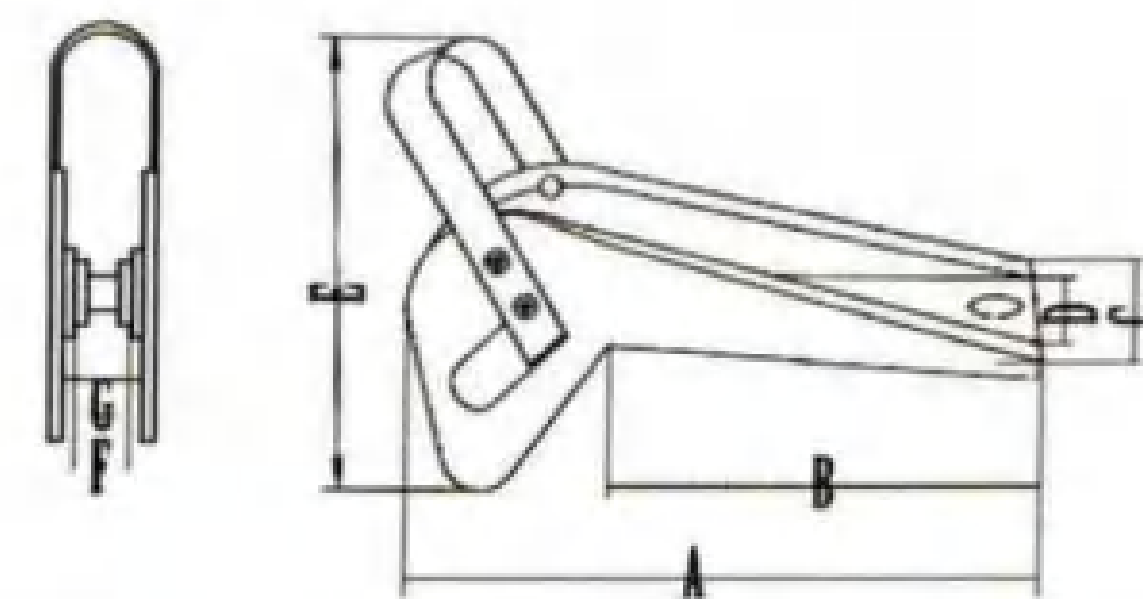
## ANCHOR ROLLER

AISI316 STAINLESS STEEL BOW ROLLER  
316不锈钢锚支架



Code	Length mm	Width mm	Anchor Size Kg
ALS4242	420	76	7.5-15.5
ALS4256	600	76	10-20
ALS4275	750	90	15-30
ALS4295	950	95	30-50

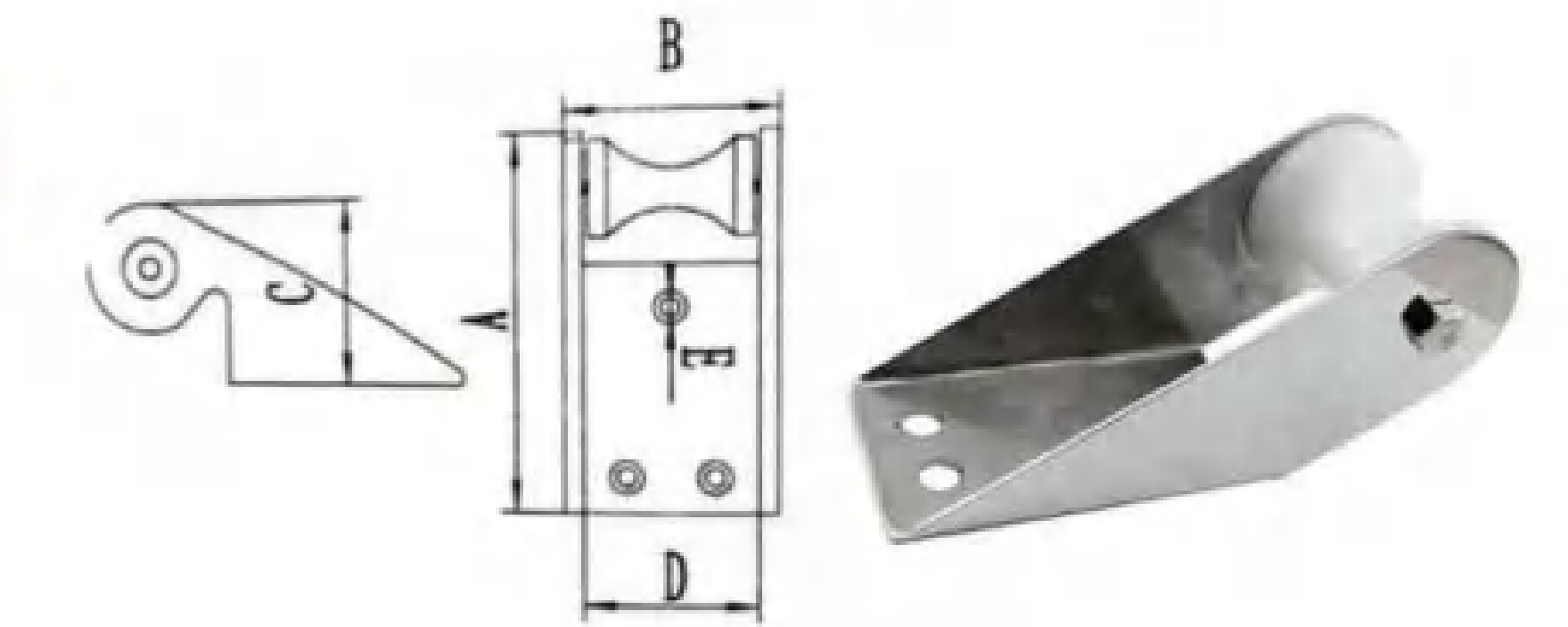
AISI316 STAINLESS STEEL BOW ROLLER  
316不锈钢锚支架



Code	A	B	C	D	E	F	G	Chain (mm)	Anchor Size (kg)
ALS901A	380	260	65	46	295	28	8.6	6-8	5-10
ALS901B	480	310	77	60	300	36	15	8-10	10-20
ALS901C	540	330	72	68	355	45	16	10-12	20-30

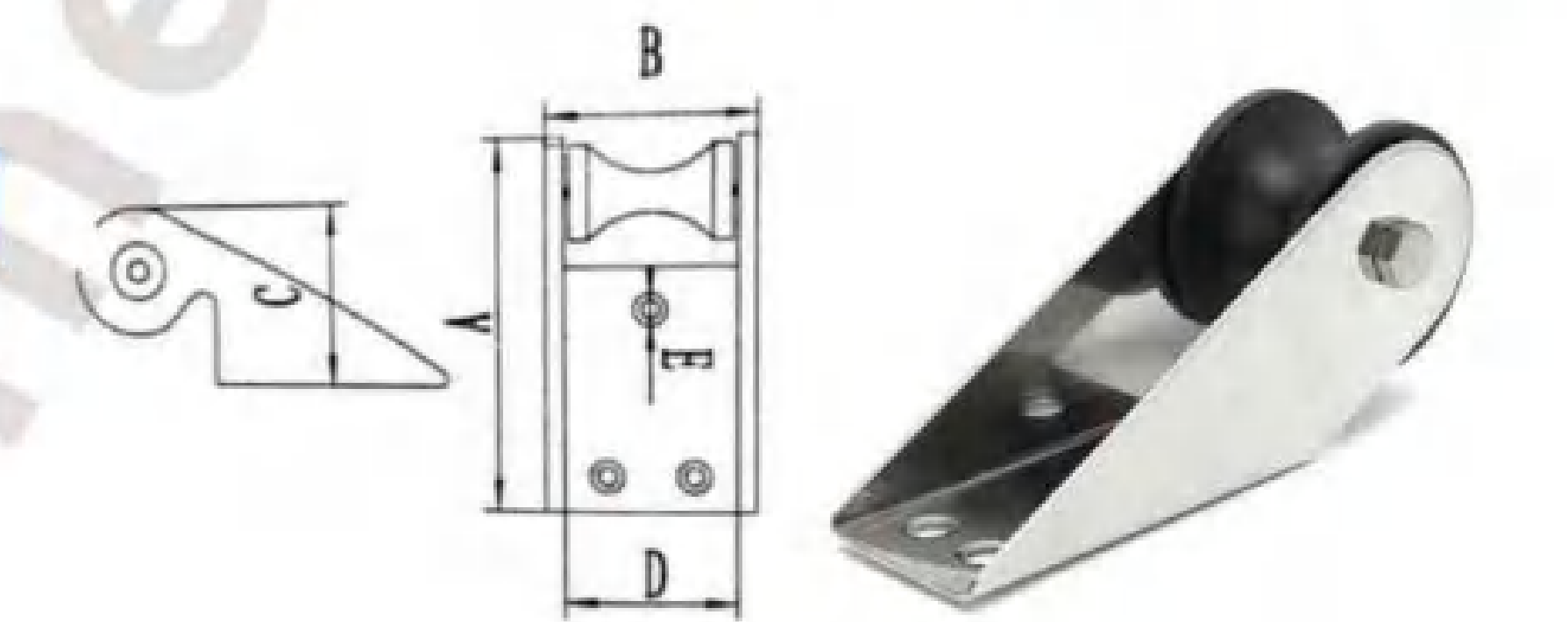
AISI316 STAINLESS STEEL BOW ROLLER  
316不锈钢白色单轮锚支架

Code	A mm	B mm	C mm	D mm	Emm
ALS902A	155	71	70	49	8



AISI316 STAINLESS STEEL BOW ROLLER  
316不锈钢黑色单轮锚支架

Code	A mm	B mm	C mm	D mm	Emm
ALS903A	155	51	70	49	8



AISI316 STAINLESS STEEL BOW ROLLER  
316不锈钢白色单轮锚支架

Code	A mm	B mm	C mm	Size
ALS1766A	170	66	52	170x66



AISI316 STAINLESS STEEL BOW ROLLER  
316不锈钢锚支架

Code	Length mm	Width mm	Height mm
ALS904A	200	64	70
ALS904B	230	64	68
ALS904C	250	64	70



AISI316 STAINLESS STEEL BOW ROLLER  
316不锈钢锚支架

Code	Length mm	Width mm
ALS905A	390	46
ALS906B	455	87



# CHAIN STOPPER

AISI316 STAINLESS STEEL ANCHOR CHAIN&STOPPER  
316不锈钢止链器



Code	L mm	W mm
ALS3013	125	84

AISI316 STAINLESS STEEL CAM CLEAT  
316不锈钢夹绳器



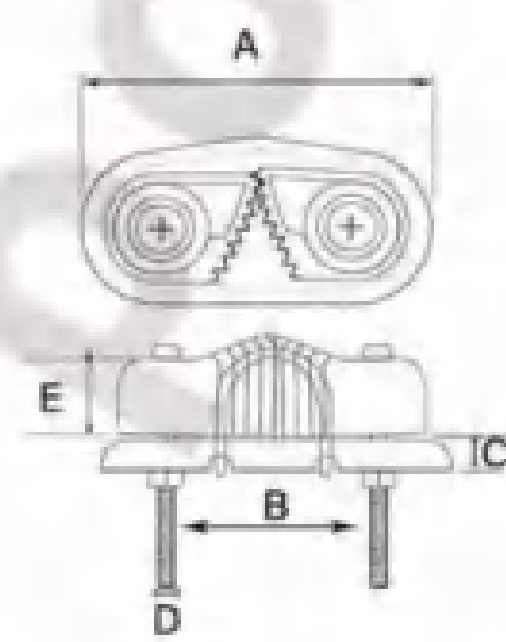
Code	L mm	W mm
ALS3015	69	17
ALS3016	81	18

AISI316 STAINLESS STEEL CHAIN LOCK STOPPER  
316不锈钢止链器



Code	L mm	W mm
ALS3017	121	66

AISI316 STAINLESS STEEL ROPE CLAMP CAM CLEAT  
316不锈钢带导向孔快速夹绳器



Code	Amm	Bmm	Cmm	Dmm	Emm
ALSH004	68	18.5	7	M5	15.5

AISI316 STAINLESS STEEL ANCHOR CHAIN STOPPER  
316山型止链器



Code	Amm	Bmm	Cmm	Size
ALS0680A	59.5	53.5	48	6-8
ALS0680B	80.2	70	62	10-12



Code	Dia mm	l.w	o.w	Breaking load kn.
ALS9103	3	16	11	4.1
ALS9104	4	16	13.7	8
ALS9105	5	18.5	17	12.5
ALS9106	6	18.5	20.2	16
ALS9107	7	22	23.8	25
ALS9108	8	24	27.2	32
ALS9109	9	27	30.6	40
ALS91010	10	30	34	50
ALS91011	11	31	37.4	63
ALS91012	12	34	40.8	66
ALS91013	13	36	44.2	80
ALS91014	14	41	47.5	100
ALS91016	16	45	54.5	125

DIN766 LINK CHAINS  
DIN766链环



Code	Dia mm	l.w	o.w	Breaking load kn.
ALS9204	3	32	16	6
ALS9205	4	35	20	10
ALS9206	5	42	24	14
ALS9207	6	49	24	18
ALS9208	7	52	32	25
ALS9209	8	59	36	32
ALS92010	9	65	40	40
ALS92011	10	72	44	47.5
ALS92012	11	78	48	56.5
ALS92013	12	82	52	63

DIN763 LINK CHAINS  
DIN763链环



Code	Dia mm	l.w	o.w	Breaking load kn.
ALS9304	4	19	16	5
ALS9305	5	21	20	7.75
ALS9306	6	24	24	11.5
ALS9307	7	28	28	15
ALS9308	8	32	32	20
ALS9309	9	36	36	15
ALS9310	10	40	40	31
ALS9311	11	44	44	38
ALS9312	12	48	48	45

DIN5685 SHORT LINK CHAIN  
DIN5685短链



Code	Dia mm	l.w	o.w	Breaking load kn.
ALS9404	4	32	16	5.5
ALS9405	5	35	20	8.5
ALS9406	6	42	24	13.5
ALS9407	7	49	28	17
ALS9408	8	52	32	23
ALS9409	9	59	36	28.5
ALS9410	10	65	40	34.5
ALS9411	11	72	44	41
ALS9412	12	78	48	49
ALS9413	13	82	52	53

DIN5685 LONG LINK CHAIN  
DIN5685长链



# INFORMATION FOR PROSPECTIVE AGENTS

We are accepting agent applications from reputable individuals and businesses, who are able to refer qualified and genuine clients to us. If you are interested in working with Power as one of our registered agent/representative. Kindly send the following information by email to: [andy@power-marine.net](mailto:andy@power-marine.net)

- Your name.
- If applicable, the Name of your Business and the Name of Business/Company Owners.
- Your Resume/CV (Detailed information about you).
- If applicable, your Business/Company Profile.
- Your Contact Address or Business Address.
- Phone number(s).
- Email address.
- Your Website and Social Media details/URL (if any).
- Information about your Primary Market(s) (i.e. cities where most of your clients will come from).
- Your Promotion and Marketing Tactics/Strategy.
- How did you hear about us? (e.g. family/friend, Facebook, Google search, Flyer, etc.).
- Optional: Any Additional Relevant Information.

Kindly note that to become an agent of Power, you must complete a 3-Step Screening Process. This is to ensure that we only work with trustworthy, professional, and reliable individuals/businesses. By providing the above information, you have completed Step 1. If selected, we will notify you by email on the next steps (i.e. steps 2 & 3).

Thank you in advance for your interest in working with Power!



Design and development



Marine grade raw materials



Mold manufacturing



Wax Pattern



Laser Cutting



Casting Pouring



Machining



Spectrometer Detection



Mirror Polishing



Welding



CNC Machine



Warehouse